



MODEL: TGN608 Series

WORLDTECH- LOADCELL

WORLDTECH
LOADCELL HIGH PRECISION



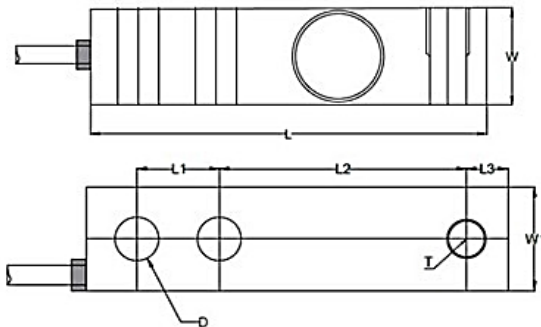
FEATURES

- Alloy steel construction
- Used Japan technology
- Special rubber for high humidity protection
- Special silicone surface coating
- 6 Cable wires for protected dorrping

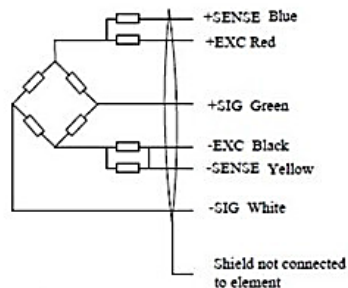
SPECIFICATIONS

| PARAMETER | VALUE | UNIT |
|-----------------------------|-----------------------------|------------------------------------|
| Capacity | 0.15, 0.25, 0.5, 1, 2, 3, 5 | t |
| | 1, 2.5, 4, 5-SE, 5, 7.5, 10 | Klb |
| Accuracy class | C3 | |
| Rated Output | 3 ± 0.1 | % R.O. |
| Zero balance | ± 2 | % R.O. |
| Input resistance | 383 ± 5 | Ohms |
| Output resistance | 350 ± 2 | Ohms |
| Non Linearity | ± 0.02 | % R.O. |
| Hysteresis | ± 0.02 | % R.O. |
| Repeatability | ± 0.02 | % R.O. |
| Creep | ± 2 | μV/12V / ≥ 50% Load / 1 min |
| Power on stability | ± 2 | μV/12V / 1min |
| Operating temperature Range | -10 ~ + 40 | °C |
| Excitation Recommended | 5 ~ 12 | V |
| Safe overload | 150 | % R.O. |
| Ultimate overload | 200 | %R.O. |
| Insulation resistance | ≥ 5000 (50 VDC) | Mega-Ohms |
| Cable, Length | ø 5mm x 4m | |

All specifications listed subject change without notice.



Color code of cable



| CAPACITY | | L | L1 | L2 | L3 | W | W1 | H | D | T |
|----------------------|------|-------|------|------|------|------|------|------|------|------------|
| 150,250 kg | mm | 130 | 25.4 | 76.2 | 12.7 | 31.7 | 31.7 | 25.4 | 13.5 | M12 x 1.75 |
| 500,1000,1500,2000kg | mm | 130 | 25.4 | 76.2 | 12.7 | 38.1 | 31.7 | 31.7 | 13.5 | M12 x 1.75 |
| 1k,2.5k,4k,5k-SE | Inch | 5.12 | 1 | 3 | 0.5 | 1.5 | 1.25 | 1.25 | 0.53 | 1/2-20 UNF |
| 2500,3000,5000kg | mm | 171.5 | 38.1 | 95.3 | 19 | 44.2 | 38.1 | 38.1 | 19.8 | M20 x 1.5 |
| 5k,7.5k,10k | Inch | 6.75 | 1.5 | 3.75 | 0.75 | 1.74 | 1.5 | 1.5 | 0.78 | 3/4-16 UNF |

